

## Purging unit for Micaflex MF-PFTT

Datablad: md-1320gb\_080213  
Ersätter:

### MF-PU-2

### Application

MicaFlex PU-2 is designed to be used with Micatrone transmitter type MicaFlex PFTT to prevent a connected flow sensor or pressure tap from clogging in applications where the measured air flow is polluted or an increased risk of condensation is present.

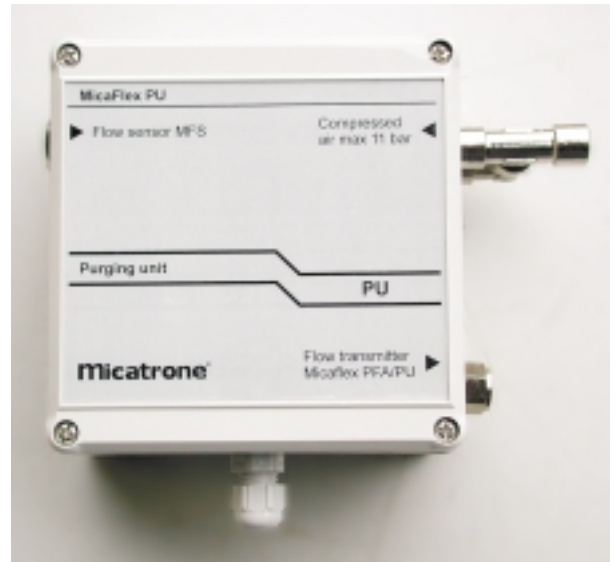
MF-PFTT control the purging units solenoid valves. The purging interval can be set between 30 and 3600 seconds and every purging period can be set between 0 and 99 seconds. During purging, the output signal from the transmitter is frozen to avoid interference in the measurement.

### Design

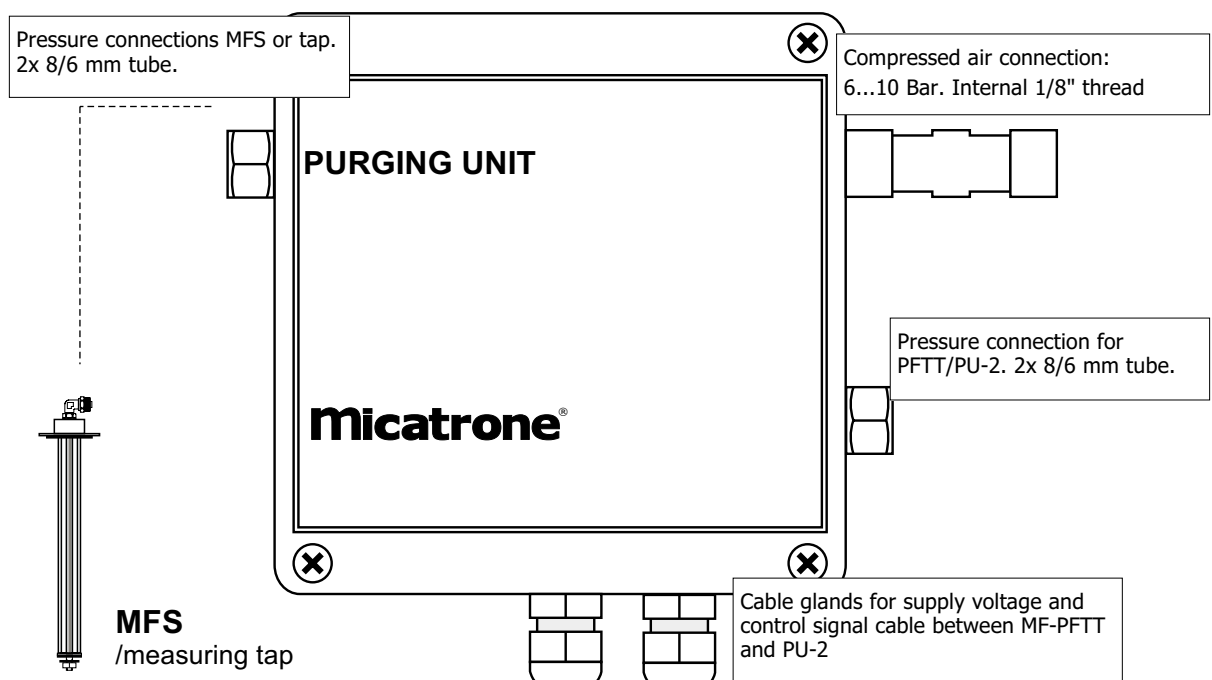
MicaFlex PU-2 consists of one relay and two solenoid valves that shifts the connection between the flow sensor or pressure tap to the transmitter or to the compressed air inlet. The relay is controlled using a 12 volt, 20mA, output signal from the transmitter.

### Function

During the pause period, the flow sensor or pressure tap is connected to the MF-PFTT. During the purging period, two valves inside the unit close the connection to the MF-PFTT and opens the connection for the compressed air inlet to clean the flowsensor or pressure tap.



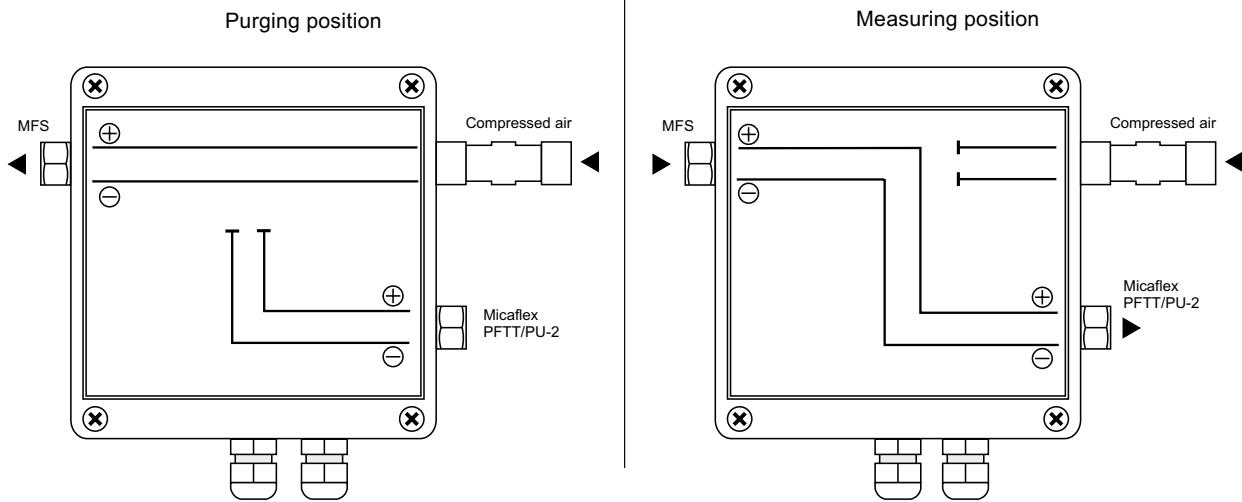
© AB MICATRONE 2008-02-13 [H: Apps \ Typeset \ Datablad \ md-1320gb\_080213.vp]



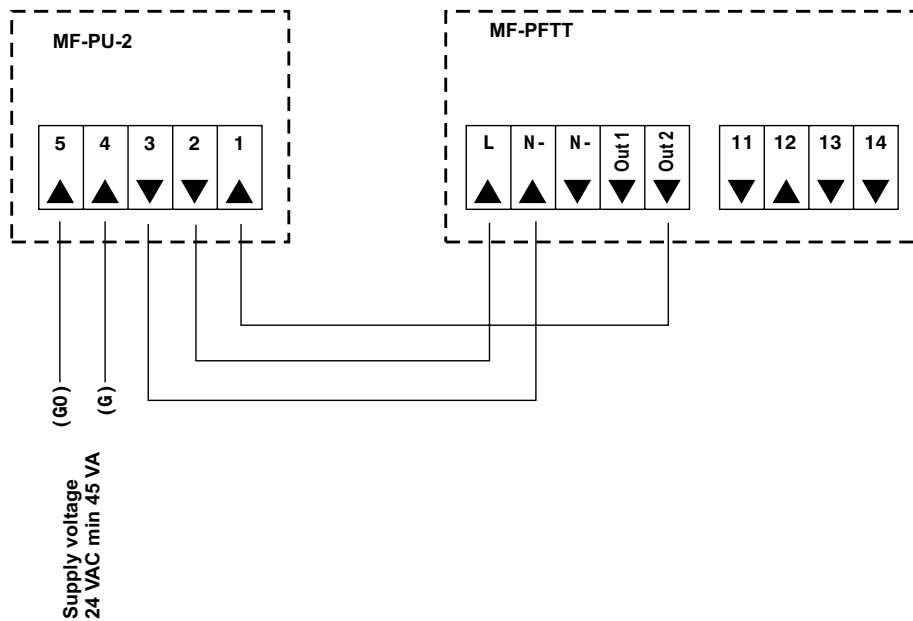
### Technical data

Solenoid valves: 2 pcs 24 VAC  
 Power consumption: 40 VA  
 Compressed air: 6...10 Bar  
 Connections for:  
 MF-PFTT/PU-2: G1/8" internal thread  
 MFS flow sensor: G1/8" internal thread  
 Compressed air: G1/8" internal thread  
 Pressure connections: Fittings for 8/6 mm tube  
 or 6 mm Cu pipe is included, must be stated  
 when ordering  
 Dimensions [WxHxD]: 120 x 122 x 90 mm  
 (enclosure only)

### Valve function



### Electrical diagram MF-PFTT/PU-2



**AB MICATRONE**  
 Åldermansvägen 3  
 SE-171 48 SOLNA  
 SWEDEN

**Telephone:** +46 8-470 25 00  
**Fax:** +46 8-470 25 99  
**Internet:** [www.micatrone.se](http://www.micatrone.se)  
**E-mail:** [info@micatrone.se](mailto:info@micatrone.se)