

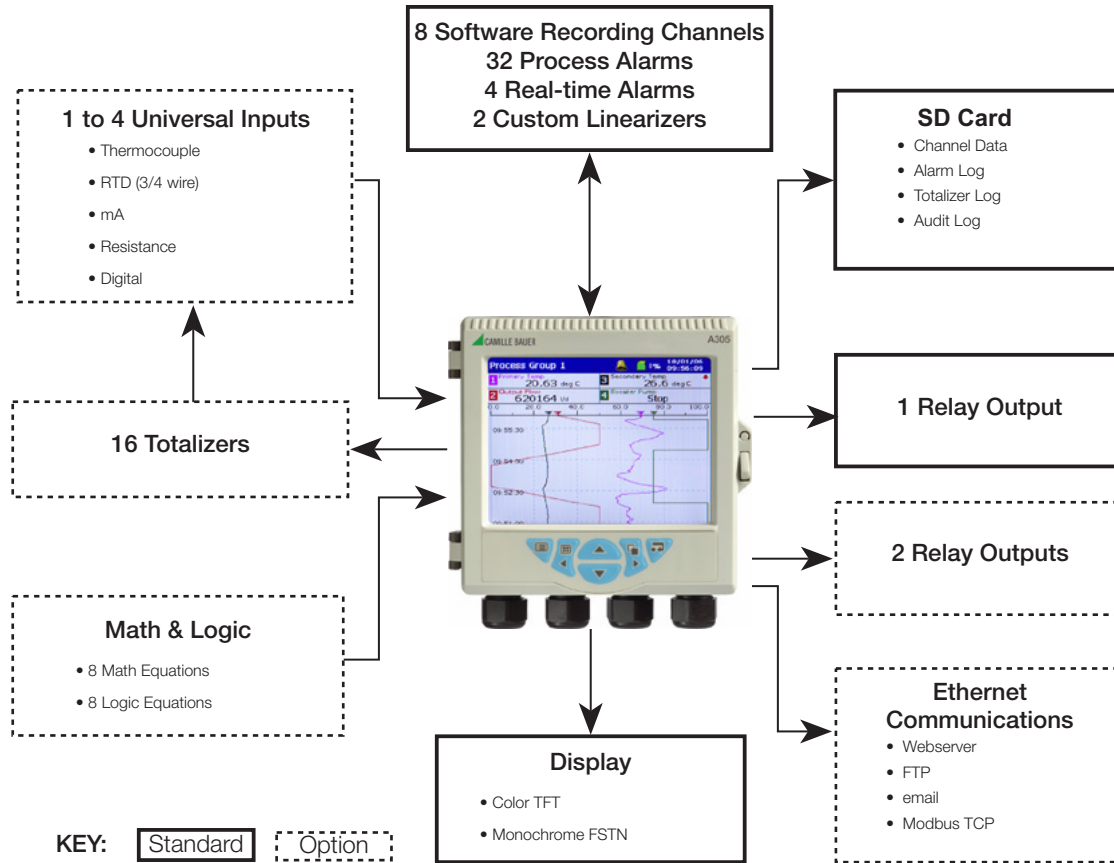
- **Unique universal mounting capability**
 - wall-, pipe- or panel-mount
 - ultra-slim design, $\leq 90\text{mm}$ (3.5 in.) deep
- **Secure data recording**
 - large internal Flash memory
 - archiving to SD memory card
- **8 software recording channels for recording of:**
 - up to 4 analog/digital inputs
 - math function results
 - Modbus TCP signals
- **Remote access and data retrieval**
 - Ethernet connectivity
- **Install into the harshest of process environments**
 - protection to NEMA4X and IP66 standards
- **Choice of displays**
 - color TFT or monochrome options
- **Quick and easy setup**
 - on-line help and Windows™-style menus



Innovative, simple, reliable recording

A305

The A305 is a field-mountable videographic recorder. Its unique enclosure design enables wall-, pipe- or panel-mounting of the unit. Process data is displayed clearly to the local operator through a variety of display formats, including chart, bargraph and digital indicator displays. Additionally, process data is logged securely to the removable memory card. Ethernet communications provide convenient remote monitoring of the process and access to logged data.

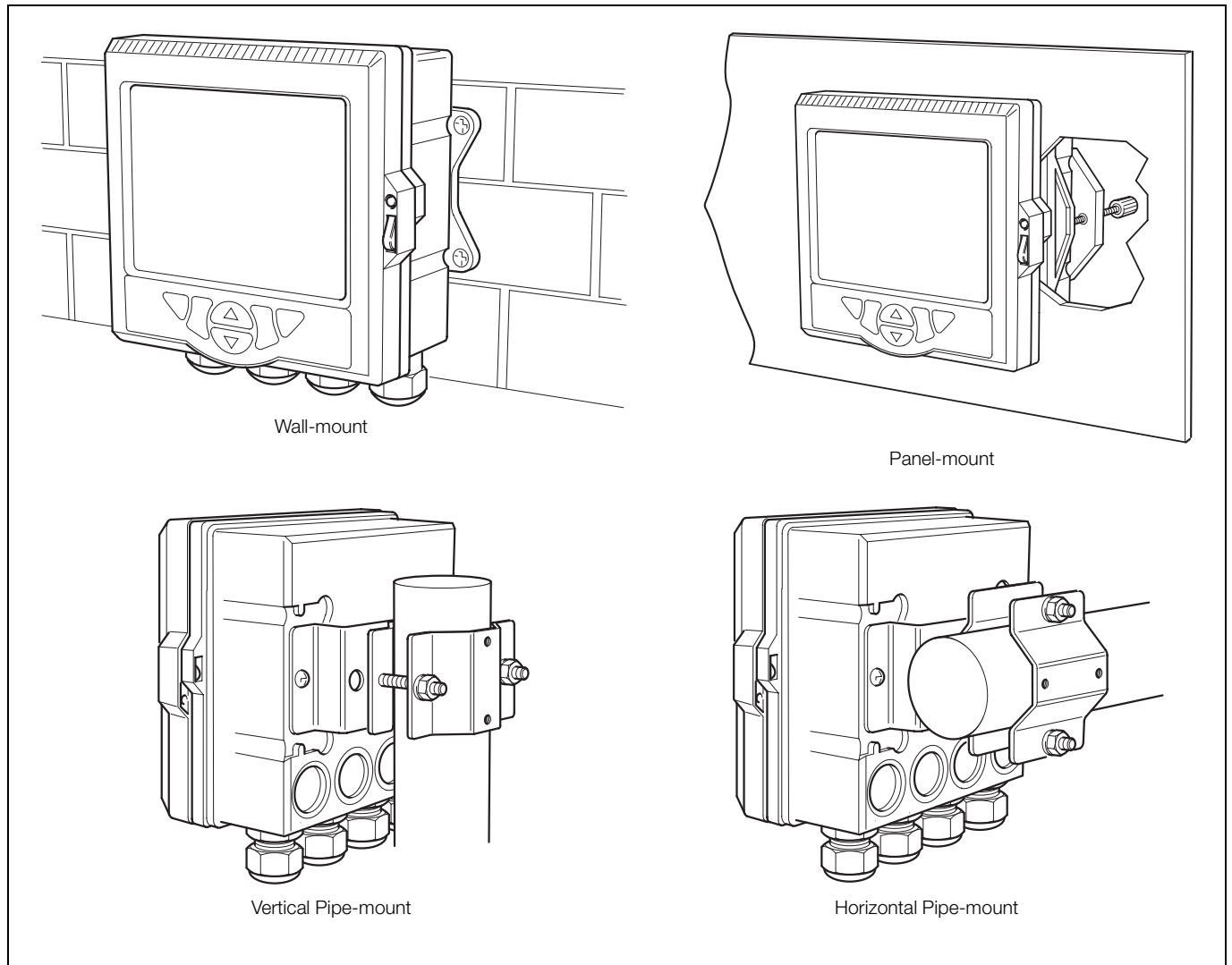


Unique Enclosure

The A305 is housed in a unique enclosure for a videographic recorder. 'Out of the box' it is possible to either wall- or panel-mount the device. The A305 can also be pipe-mounted using the optional kit.

In any type of installation the A305's enclosure meets both IP66 and NEMA 4X hose-down standards. This means that the unit requires no costly additional enclosures or protection when mounted in applications that require frequent hose-down.

When panel-mounted the A305's ultra slim profile requires a panel depth of only 67mm (2.7 in.). This ensures that there are no problems when replacing existing recording devices and enables the A305 to be installed into existing panels where required.



Innovative design enables multiple mounting options

Save Time and Money

The unique enclosure design of the A305 enables it to be wall-mounted without the need for additional costly enclosures. To wall-mount a traditional videographic recorder, an additional enclosure must be sourced and a cut-out made to suit the recorder, glanded cable entries made and any internal wiring required for safety regulations installed and tested.

The work involved in producing such an enclosure increases costs and installation times significantly.

Flexible Recording

8 software recording channels are featured in the A305 as standard. Up to 4 physical analog/digital inputs can be fitted to the A305 and assigned to a software recording channel. The remaining software recording channels can be used to record math block results, alarm status, signals communicated via Modbus TCP or any other analog or digital signal available within the recorder. Each software recording channel features 4 process alarms and 2 optional totalizers.

High Specification I/O

The A305 features up to 4 fully universal inputs. Each input can be configured to accept a variety of process signals directly – including mA, mV, RTD (3- or 4-wire), thermocouple, voltage, resistance or digital signal. Process data can be logged at the high speed of 100mS. All analog/digital inputs have 500V channel-to-channel isolation.

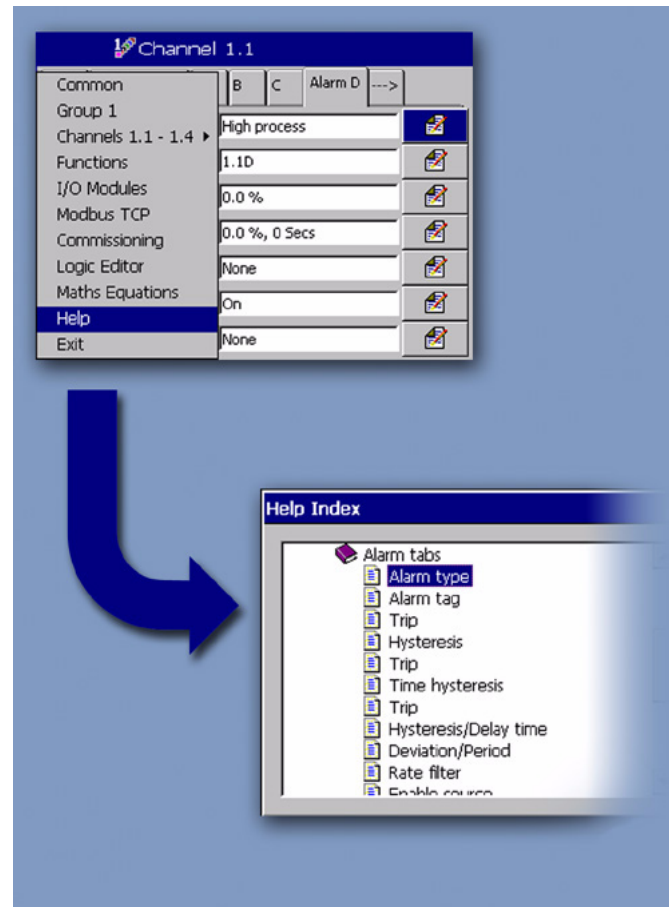
Included as standard is a relay output that can be driven from process alarms, memory card capacity warning or many other events. Two additional relays can be added if required.

The A305 can be upgraded easily with additional I/O due to its modular design. When inserted, additional inputs or relay modules are recognized by the recorder and can then be configured ready for use.

Ease of Use

Operation of the A305 is performed via dedicated operator keys on the front panel. All operation and configuration is performed via intuitive Windows-style menus.

The A305 includes context-sensitive online help that quickly assists the operator when required. This enables the A305 to be installed quickly and configured without the use of the instruction manual.



Comprehensive and intuitive on-line help system

Display Options

The A305 is available with a choice of displays. Depending on the application requirements, either a 144mm (5.7 in.) color TFT or 120mm (4.7 in.) monochrome FSTN display can be specified.



High definition color display



Cost-effective monochrome display option

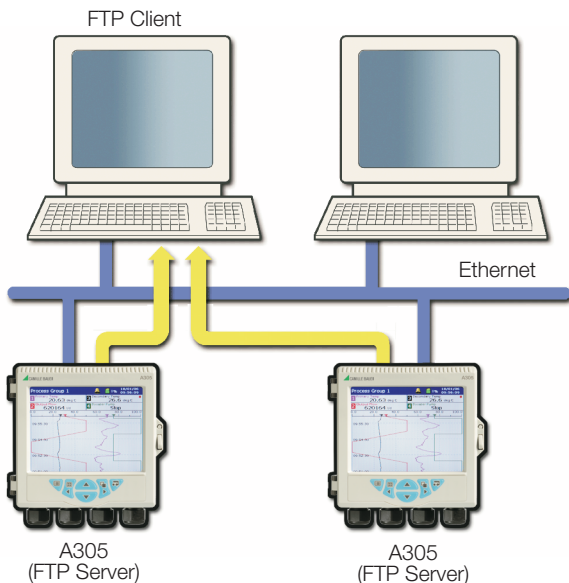
Ethernet Communications

The A305 can provide 10BaseT Ethernet communications via a standard RJ45 connector and uses industry-standard protocols TCP/IP, FTP and HTTP. The use of standard protocols enables easy connection into existing PC networks.

Data File Access via FTP (File Transfer Protocol)

The A305 features FTP server functionality. This functionality provides high-speed access via Ethernet to data archived by the recorder.

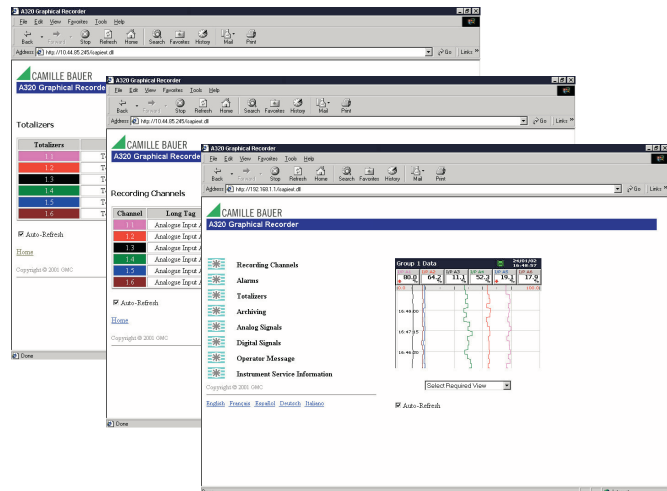
- Using a standard web-browser or other FTP clients, data files contained within the A305's memory card can be accessed remotely and transferred to a PC or network drive.
- Four individual FTP users can be programmed into the A305. An access level can be configured for each user.
- All FTP log-on activity is recorded in the audit log of the A305.
- Using Camille Bauer's data file transfer scheduler program, data files from multiple recorders can be backed-up automatically to a PC or network drive for long-term storage, ensuring the security of valuable process data and minimizing the operator intervention required.



Embedded Web Server

Contained within the A305 is an embedded web-server that provides access to web pages created within the recorder. The use of HTTP (Hyper Text Transfer Protocol) enables standard web browsers to view these pages.

- Presented within the web pages is the current display of the recorder, detailed information on process signals, alarm conditions, totalizer values and other key process information.
- The historical logs stored in the A305's internal buffer memory can be displayed in full form within the web pages.
- Operator messages can be entered via the web server enabling comments to be logged to the recorder.
- All of the information displayed on the web pages is refreshed regularly enabling them to be used as a process supervision tool.
- The recorder's configuration can be switched to a different configuration. This can be an existing configuration in the internal memory or a new configuration file transferred to the recorder via FTP.
- The recorder's real-time clock can be set via the webserver. Alternatively, the clocks of multiple recorders can be synchronized using FTS (File Transfer Scheduler).

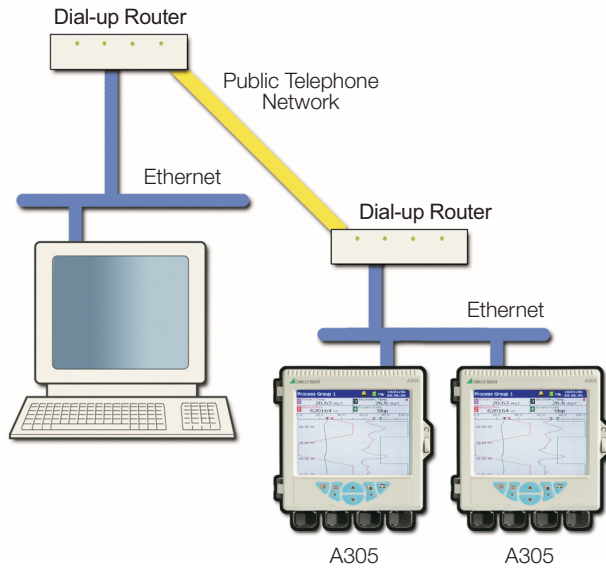


Email Notification

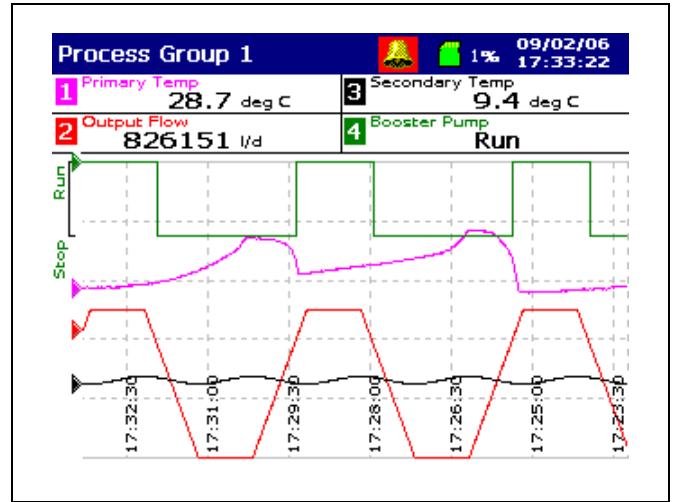
Via the A305's inbuilt SMTP client the recorder is able to email notification of important events. Emails triggered from process alarms or other critical process events can be sent to multiple recipients. The recorder can also be programmed to email reports of the current process status at specific times during the day, the content of which can be tailored to suit your specific process needs.

Remote Access and Monitoring

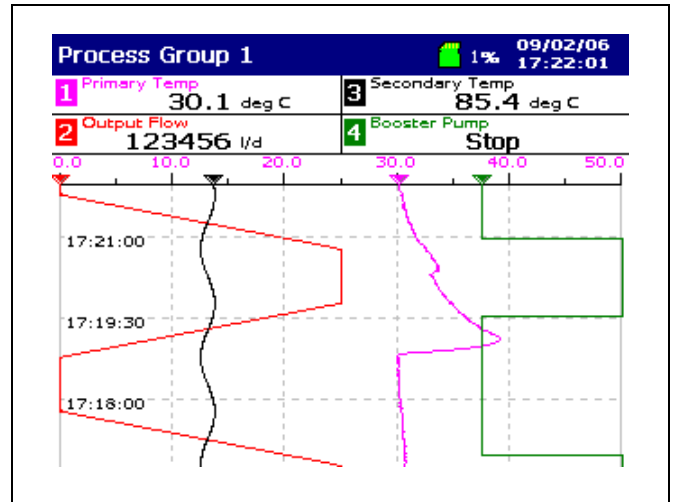
Ethernet communications can provide a link to recorders installed in remote locations. Via the use of a dial-up router an A305 can be installed in a remote location and accessed via a public telephone network when required.



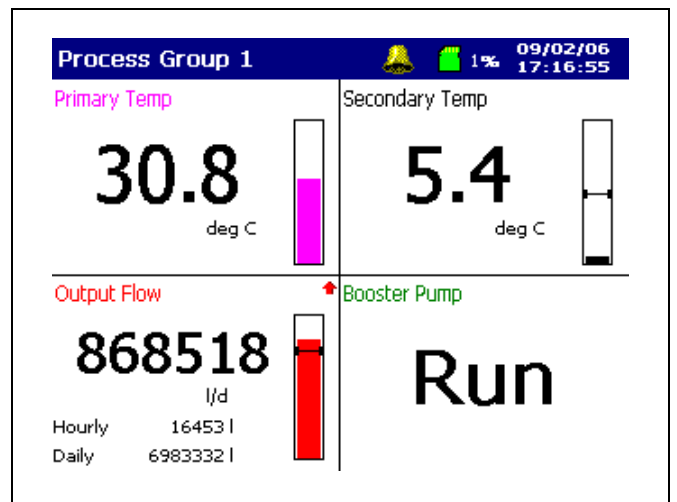
Powerful Operator Displays



Horizontal Chart Display



Vertical Chart Display



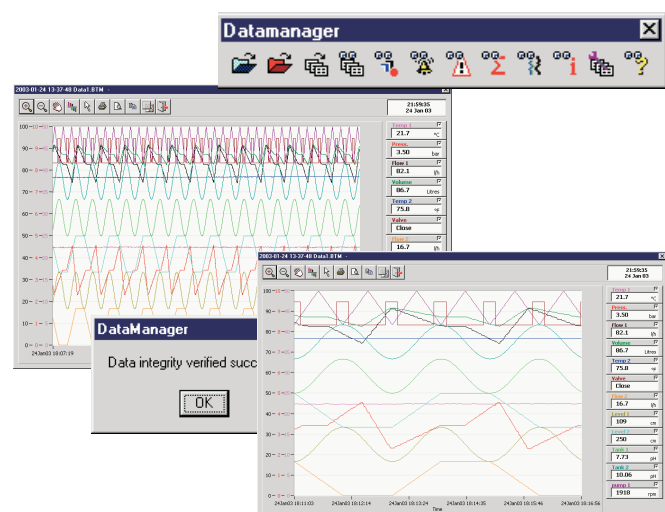
Digital Display

DataManager Off-Line Review and Analysis

Using Camille Bauer's DataManager software, archived process data and historical logs recorded to a removable media card can be reviewed easily.

- Database management of data files provided by DataManager ensures simple, secure, long-term storage and retrieval of historical data.
- The graphing capabilities provided by DataManager ensure easy interrogation of process data.
- The validity of all data files is always checked by DataManager during the storage and retrieval process, ensuring maximum data integrity.

For further information on the capabilities of DataManager, refer to data sheet 153651.



Software Options

Totalizers

Flow totalizers are available as an option. Each software recording channel has 2 totalizers that enables resettable and cumulative totals to be displayed simultaneously.

Math & Logic

Advanced math and logic capabilities are available as an option. 8 multi-element math and 8 multi-element logic equations can be configured. Equations can be nested into each other to provide extensive capabilities.

- Mean, standard deviation and rolling averaging functions are provided.
- Standard addition, subtraction, multiplication and division are complemented with Log, Ln, Square root, power, Sin, Cos, Tan and absolute functions.
- Switching of process signals can be achieved via the high/low/middle signal selection and multiplexing functions.
- Predefined equations are provided for relative humidity and F0 measurements.
- AND, NAND, OR, NOR, XOR and NOT operators are available within the logic equations.

All math and logic equation results can be shown on the display of the A305 and archived to the removable media. Detailed diagnostic functions are provided for both the math and logic equations.

Specification

Operation and Configuration

Configuration

Via tactile membrane keys on front panel or PC Configuration
Multiple configuration files can be stored in internal (up to 16 files) or external memory (with removable media option fitted)

Security

Physical

Optional lock on door

Configuration security

Password protection	Access to configuration is allowed only after the user has entered a password
Internal switch protection	Access to configuration is allowed only after a hardware switch has been set. This switch is situated behind a tamper-evident seal

Logging security

Configuration	Can be configured for password protection or free access to logging levels
---------------	--

Basic type security

4 individual users with unique usernames and passwords

Advanced type security

Number of users	Up to 12
Usernames	Up to 20 characters. Usernames are unique (names cannot be repeated)
Access privileges	Logging access – Yes/No Configuration access None/Load file only/Limited/Full
Passwords	Up to 20 characters A minimum required password length of 4 to 20 characters can be configured and a password expiry time can be applied to eliminate password ageing
Password failure limit	Configurable for 1 to 10 consecutive occasions or 'infinite' A user is deactivated if a wrong password is entered repeatedly
Deactivation of inactive users	Can be disabled or configured for 7, 14, 30, 60, 90, 180 or 360 days of inactivity Users are deactivated (by removal of access privileges) after a period of inactivity

Custom Linearization

Number

2

Number of breakpoints

20 per linearizer

Operator Messages

Number

24

Trigger

Via front panel or digital signals

Recording in alarm/event log

Can be enabled or disabled on configuration

Display

Monochrome FSTN or Color TFT, passive matrix, liquid crystal display (LCD) with built-in backlight and contrast adjustment

Diagonal display area	color 144mm (5.7 in.) monochrome 120mm (4.7 in.)
-----------------------	---

76800 pixel display*

* A small percentage of the display pixels may be either constantly active or inactive. Max. percentage of inoperative pixels <0.01%.

Language

English, German, French, Italian and Spanish

Dedicated operator keys

- Group select/Left cursor
- View select/Right cursor
- Menu key
- Up/Increment key
- Down/Decrement key
- Enter key

Chart screen intervals

Selectable from 18s to 7 days

Chart divisions

Programmable for up to 10 major and 10 minor divisions

Chart annotation

Alarm and operator messages may be annotated on the chart
Icons to identify the type of event, time of occurrence and tag are displayed

Process Alarms

Number

16 (4 per recording channel)

Types

High/Low process, latch & annunciator
Rate fast/slow
Tag
20-character tag for each alarm

Hysteresis

Programmable value and time hysteresis (1 to 9999s)

Alarm enable

Allows alarm to be enabled/disabled via a digital input

Alarm log enable

Recording of alarm state changes in the alarm/event log can be enabled/disabled for each alarm

Acknowledgement

Via front panel keys or digital signals

Real-time Alarms

Number

4

Programmable

Day of the week, 1st of month, start and duration times

Recording to Internal Memory

Data Channels

Internal buffer memory

8Mb Flash memory provides storage for 2 million samples

Oldest data is overwritten automatically by new data when memory is full

Data integrity checks

Checksum for each block of data samples

Independent process groups

2

No. of recording channels

4 per group

Sources

Analog inputs, Modbus™ inputs, any digital signal, math block

Filters

Programmable for each channel to allow recording of: instantaneous values, average, max., min. and max. & min. value over sample time

Primary/Secondary sample rates

Programmable from 0.1s to 12 hours for each process group

Primary/Secondary sample rate selection

Via any digital signal or from password protected menu

Recording start/stop control

Via any digital signal or from password-protected menu

Recording Duration

Approximate duration calculated for continuous recording of 4 channels of analog data (for 8 channels divide by 2, for 2 channels multiply by 2 etc.)

Sample Rate	1s	10s	40s	60s	120s	480s
8Mb Internal Flash Buffer Memory	6 days	2 months	7.5 months	1 year	2 years	7 years

Archiving to Removable Media

Removable storage media options

- SD Card

Data that can be saved to removable media

- Recorded data for group 1 & 2 channels
- Alarm event log data
- Totalizer log data
- Audit log data
- Configuration
- Screen capture images

File structure

Configurable as either binary-encoded or comma-separated

Filename

20-character tag, prefixed with date/time

Data verification

Carried out automatically on all writes to removable-media files

Recording Duration

Approximate duration calculated for continuous recording of 4 channels of analog data

(for 8 channels divide by 2, for 2 channels multiply by 2 etc.)

Binary Encoded File

Sample Rate	1s	10s
128Mb SD	3 months	2.5 years
256Mb SD	6 months	5 years
512Mb SD	12 months	10 years
1Gb SD	2 years	20 years

Comma-separated File

Sample Rate	1s	10s
128Mb SD	20 days	6 months
256Mb SD	40 days	12 months
512Mb SD	2.5 months	2 years
1Gb SD	5 months	4 years

Historical logs

Types

Alarm/Event, Totalizer and Audit logs

No. of records in each historical log

Up to 200 in internal memory

Oldest data is overwritten automatically by new data when log is full

Log Type Log Entry Events	Alarm/Event Log		Totalizer Log		Audit Log	
	In Log	On Screen	In Log	On Screen	In Log	On Screen
Information Recorded in Log						
Date & time of event	✓	✓	✓	✓	✓	✓
Type of event	✓	✓	✓	✓	✓	✓
Tag	✓	✓	✓	✓	-	-
Source tag	✓	-	✓	-	-	-
Alarm trip value & units of measure	✓	-	-	-	-	-
Alarm state	✓	✓	-	-	-	-
Alarm acknowledgement state	✓	-	-	-	-	-
Operator ID	✓	-	-	-	✓	✓
Description	-	-	-	-	✓	✓
Batch total and units of measurement*	-	✓	✓	-	-	-
Max., min. and average values plus units*	-	✓	✓	-	-	-
Secure total	-	-	✓	-	-	-

* If Totalizer option is fitted and selected

Analog Inputs

General

Number of inputs

4 (1 as standard, 3 optional)

Input types

mA, mV, voltage, resistance, THC, 3-wire RTD, 4-wire RTD

Thermocouple types

B, E, J, K, L, N, R, S, T

Resistance thermometer

PT100

Other linearizations

\sqrt{x} , $x^{3/2}$, $x^{5/2}$, custom linearization

Digital filter

Programmable 0 to 60s

Display range

-99999 to +999999

Standard Analog Input Modules

Linear Inputs	Standard Analog Input	Accuracy (% of reading)
Millivolts	0 to 150mV	0.1% or $\pm 20\mu\text{V}$
Milliamps	0 to 50mA	0.2% or $\pm 4\mu\text{A}$
Volts	0 to 25V	0.2% or $\pm 1\text{mV}$
Resistance Ω (low)	0 to 550 Ω	0.1% or $\pm 0.1\Omega$
Resistance Ω (high)	0 to 10k Ω	0.1% or $\pm 0.5\Omega$
Sample Interval	100ms per sample	
Input Isolation	500V DC channel-to-channel	
Isolation from Rest of Instrument	Galvanically isolated to 500V DC	

Common mode noise rejection

>120dB at 50/60Hz with 300 Ω imbalance resistance

Normal (series) mode noise rejection

>60dB at 50/60Hz

CJC rejection ratio

0.05 $^{\circ}\text{C}/^{\circ}\text{C}$

Sensor break protection

Programmable as upscale or downscale

Temperature stability

0.02%/ $^{\circ}\text{C}$ or $2\mu\text{V}/^{\circ}\text{C}$

Long term drift

<0.2% of reading of 20 μV annually

Input impedance

>10M Ω (millivolts inputs)

500k Ω (voltage inputs)

10 Ω (mA inputs)

Analog Input Types

Thermocouple	Maximum Range $^{\circ}\text{C}$	Maximum Range $^{\circ}\text{F}$	Accuracy (% of reading)
B	-18 to 1800	0 to 3270	0.1% or $\pm 2^{\circ}\text{C}$ (3.6 $^{\circ}\text{F}$) (above 200 $^{\circ}\text{C}$ [392 $^{\circ}\text{F}$])
E	-100 to 900	-140 to 1650	0.1% or $\pm 0.5^{\circ}\text{C}$ (0.9 $^{\circ}\text{F}$)
J	-100 to 900	-140 to 1650	0.1% or $\pm 0.5^{\circ}\text{C}$ (0.9 $^{\circ}\text{F}$)
K	-100 to 1300	-140 to 2350	0.1% or $\pm 0.5^{\circ}\text{C}$ (0.9 $^{\circ}\text{F}$)
L	-100 to 900	-140 to 1650	0.1% or $\pm 1.5^{\circ}\text{C}$ (2.7 $^{\circ}\text{F}$)
N	-1200 to 1300	-325 to 2350	0.1% or $\pm 0.5^{\circ}\text{C}$ (0.9 $^{\circ}\text{F}$)
R	-18 to 1700	0 to 3000	0.1% or $\pm 1^{\circ}\text{C}$ (1.8 $^{\circ}\text{F}$) (above 300 $^{\circ}\text{C}$ [540 $^{\circ}\text{F}$])
S	-18 to 1700	0 to 3000	0.1% or $\pm 1^{\circ}\text{C}$ (1.8 $^{\circ}\text{F}$) (above 200 $^{\circ}\text{C}$ [392 $^{\circ}\text{F}$])
T	-250 to 300	-400 to 550	0.1% or $\pm 0.5^{\circ}\text{C}$ (0.9 $^{\circ}\text{F}$) (above -150 $^{\circ}\text{C}$ [-238 $^{\circ}\text{F}$])

RTD	Maximum Range $^{\circ}\text{C}$	Maximum Range $^{\circ}\text{F}$	Accuracy (% of reading)
PT100	-200 to 600	-325 to 1100	0.1% or $\pm 0.5^{\circ}\text{C}$ (0.9 $^{\circ}\text{F}$)

Relays

Number of relays

1 as standard, 2 optional, (1 Module)

Type and rating

Relay type	selectable NO/NC
Voltage	250V AC 30V DC
Current	5A AC 5A DC
Loading (non-inductive)	1250VA 150W

2-Wire transmitter power supply

Number

2 isolated supplies

Voltage

24V DC nominal

Drive

22mA (each supply)

Ethernet Module

Physical medium

10BaseT

Protocols

TCP/IP, FTP (server), HTTP, SMTP, Modbus TCP (Client + Server)

FTP server functions

Directory selection & listing

File upload/download

4 independently configurable users with full or read-only access

Web server functions

Operator screen monitoring/selection. Remote monitoring of recording channels, analog/digital signals, alarms, totalizers and archiving.

Totalizer (optional)

Number

2 per recording channel, 10-digit totals

Type

Analog or digital

Statistical calculations

Average, maximum, minimum (for analog signals)

EMC

Emissions & immunity

Meets requirements of IEC61326 for an Industrial Environment

Electrical

Power supply type

Universal AC/DC

Supply ranges

85V min. to 265V max. AC 50/60Hz

9V to 36V DC (optional)

Power consumption

35VA max., 10W max.

Power interruption protection

No effect for interrupts of up to 20ms

Safety

General safety

EN61010-1

Overvoltage Class III on mains, Class II on inputs and outputs

Pollution category 2

CSA 1010

UL 1010

Isolation

500V DC to earth (ground)

Environmental

Operating temperature range

0 to 50°C (32 to 122°F)

Operating humidity range

5 to 95%RH (non-condensing)

Storage temperature range

-20 to 70°C (-4 to 174°F)

Enclosure sealing

IP66 and NEMA4X

Physical

Size

144mm (5.7in.) x 144mm (5.7in.) x 84mm (3.3 in.)

Weight

1.0kg (2.2 lb) approx. (unpacked)

Panel cutout

138mm (5.43 in.) x 138mm (5.43 in.) x 67mm (2.7 in.) behind panel

Case material

Glass-filled polycarbonate

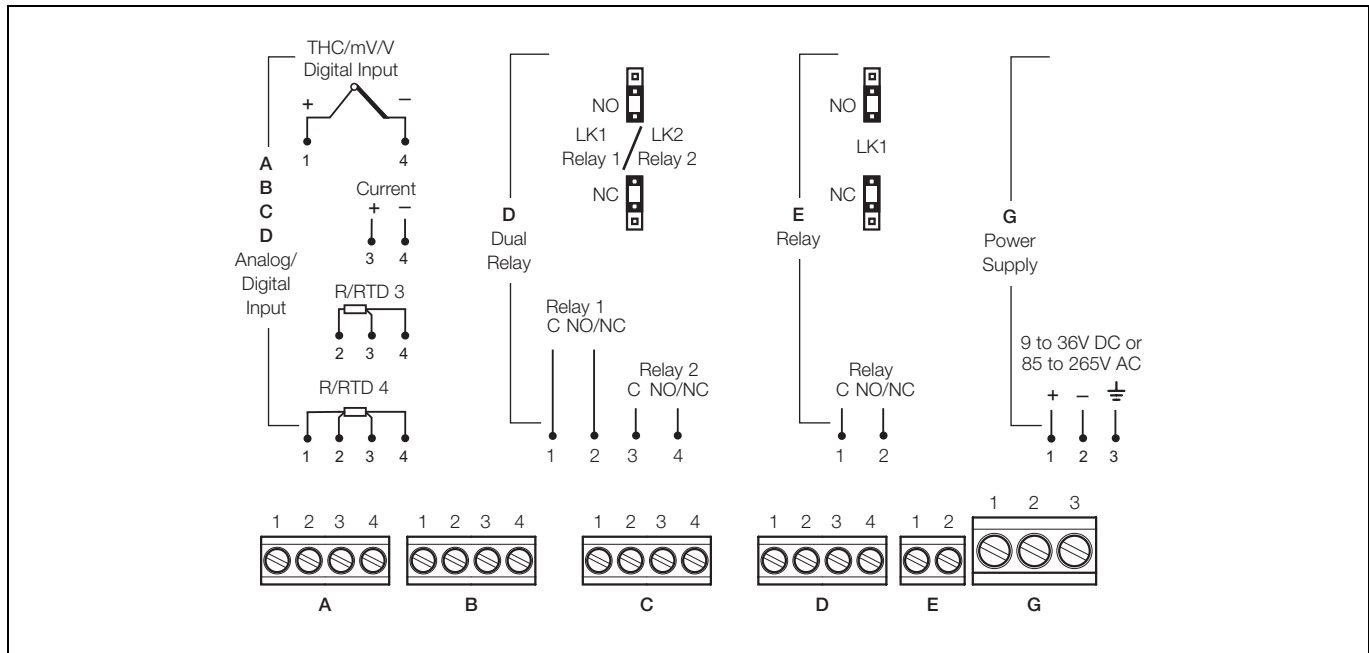
Operator keypad

Tactile membrane keys

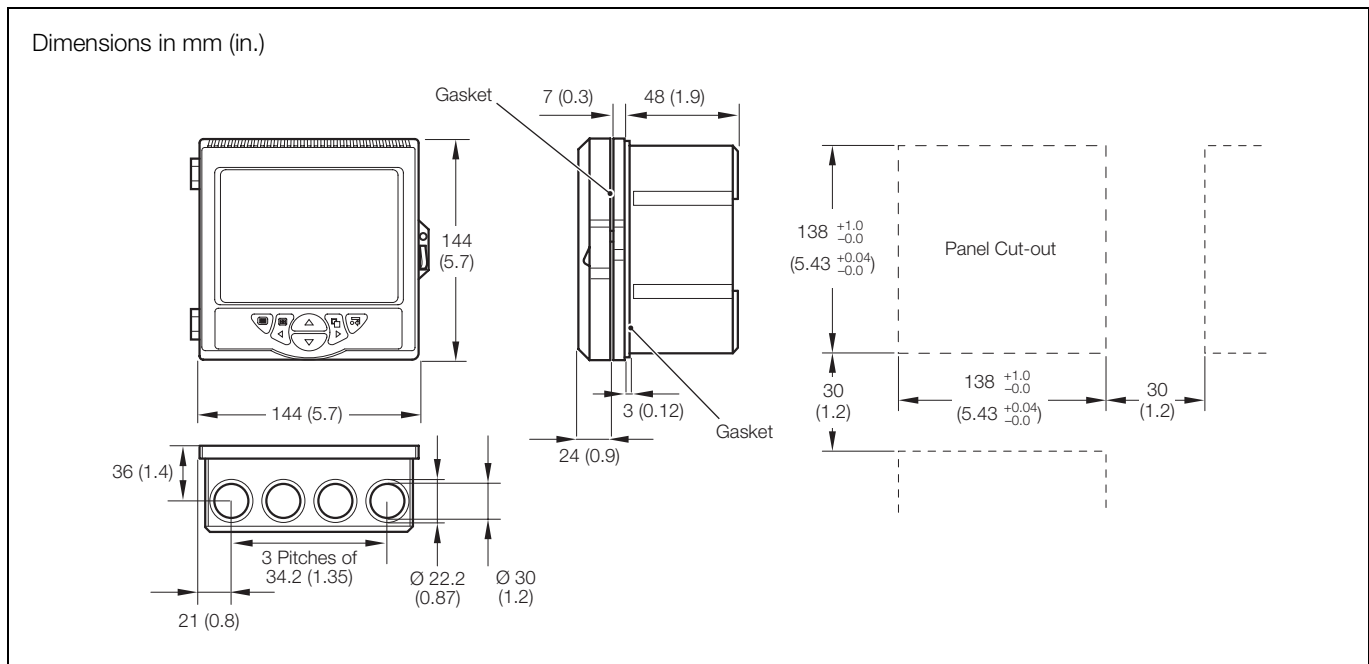
No. of keys

6

Electrical Connections



Overall Dimensions



Optional Accessories

256Mb SD Card	160169
512Mb SD Card	160177
1Gb SD Card	160193
USB SD Memory Card Reader	160185
DataManager Software	153346
Pipe-mounting Kit	160044

Ordering Information

LINAX A305 Recorder	305-	X	X	X	X	X	X	X	X	X	X	X	X	X	X
Channels															
One analog / digital input	1														
Two analog / digital input	2														
Three analog / digital input	3														
Four analog / digital input	4														
Mounting															
Field / Panel			F												
Pipe mounting kit			P												
Display Type															
Monochrome				M											
Color				C											
Build option															
Standard					S										
Software Option															
None															0
Math & Logic															1
Totalizers															2
Math, Logic and Totalizers															3
Communications															
None															
Ethernet 10 BaseT															N
Ethernet 10 BaseT plus Ethernet Cable Gland															E
Optional Output Module															
None															
2 Relays															N
Power supply															
85-265 VAC															
9 to 36 VDC															A
Gland Entry Type															
None															
1 X 0.5 in. NPT Supplied															0
2 X 0.5 in. NPT Supplied															1
3 X 0.5 in. NPT Supplied															2
4 X 0.5 in. NPT Supplied															3
Door Lock															
None															
Fitted															N
Documentation															
Doku CD (English/German)															
Documentation in German (Paper)															
Documentation in English (Paper)															C
Special Features															
Standard															
															0

(1) This option is not available if four inputs are fitted.
 (2) Available only if Ethernet communication is not specified.
 (3) Available only if Ethernet communication is specified.

Modbus™ is a registered trademark of the Modbus-IDA organization

Microsoft is a registered trademark of Microsoft Corporation in the United States and/or other countries

Printed in the UK (07.06)

© CAMILLE BAUER 2006



CAMILLE BAUER AG
Aargauerstrasse 7
CH-5610 Wohlen
Switzerland
Phone: +41 56 618 21 11
Fax: +44 56 618 24 58
www.camillebauer.com