

Series TAS

Panel Meter PROGRAMMABLE



FEMEA ELECTRÓNICA

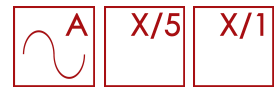
- * Meters with 4 1/2 Digits programmable from frontal
- 4 relay outputs
- 2 relay outputs
- Analogue output in Vdc and mA
- Digital RS485 Modbus output
- Memory for Peak and Valley
- Hold Function

* TAS-P



Instrument for Process Signals in Vdc and mA unipolar and bipolar and potentiometers

* TAS-IAC



Instrument for AC Current from 100mAac up to 5 Aac, including X/5 and X/1 current transformer signals

* TAS-T



Instrument for Temperatures Pt100 / RTD at 2, 3 and 4 wires Thermocouples J, K, T, E, S, R, B in °C and °F

* TAS-VDC



Instrument for DC Voltages from 100mVdc up to 650Vdc, including 60mV, 100mV and 150mV shunt signals

* TAS-IDC



Instrument for DC Current from 100mAac up to 5 Aac

* TAS-VAC



Instrument for AC Voltages monofase from 100mVac up to 650 Vac



FEMA ELECTRÓNICA, S.A.

TECHNICAL DATA - TAS

General Data

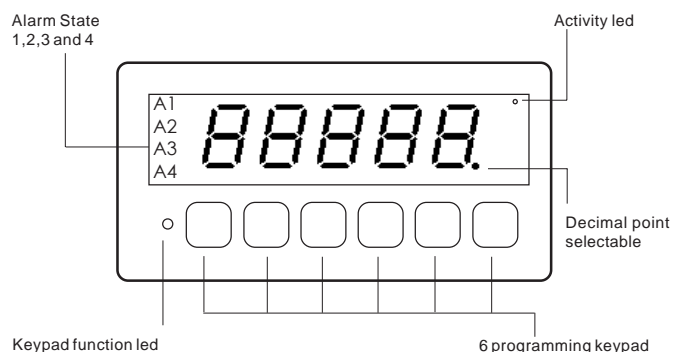
The instruments from the TAS series are designed to measure signals from process, temperature, currents and voltages both in AC and DC types. The quality on the measure allows up to 4 1/2 real digits on display (in some cases, display can reach up to 32.000 points).

Optional boards allow 4 relay outputs, 2 relay outputs, analogue outputs, RS485 outputs and peak and valley memory.

Fast and easy configuration through the 6 keys in the frontal keypad, with direct access to alarm setpoints, HI and LO display values and decimal point position, without entering complex configuration menus.

Units with frontal IP65 protection, for panel mount, with galvanic isolation between all terminals for power, input signals, and control outputs.

Wide range of accepted signals for electrical monophasic measures, process and temperatures, with optional configurations such as °C or °F for temperatures, signal filters, display filters, bipolar process measurements, ...

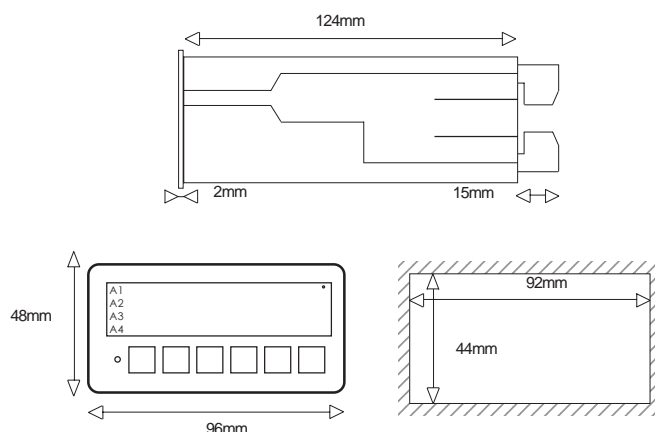


IDEAL SOLUTION for applications where a wide range of different signals needs to be displayed, with a minimum of different instruments, minimizing replacement stocks and maximizing the effectivity of start-up thanks to the simplicity of configuration.

Technical Data

DISPLAYS	5 digits led type 7 segments red color 14mm digit height
INDICATION	32000 / -19999
DECIMALPOINT	selectable
REFRESH	5 per second
A/D CONVERTER	16 BIT +sign
FRONT PROTECTION	IP65
WORKING TEMPERATURE	0° to +50 °C.
STORAGE TEMPERATURE	-20 °C a +85 °C
AC POWER	230 Vac 50/60 Hz 115 Vac 50/60 Hz
DC POWER	24 Vdc (+-10% isolated)
CONSUMPTION	4 W max
ELECTRICAL CONNECTION	plug-in screw clamps
BOX	1/8 DIN
DIMENSIONS	96 x 48 x 124 mm
PANEL CUT-OUT	92 x 44 mm
WEIGHT	0,5 Kg

Mechanical Dimensions



FEMA ELECTRÓNICA, S.A.

Pol. Ind. Santiga - Altimira 14 (T14 - N2)
E-08210 Barberà - BARCELONA

Tel. (+34)93.729.6004 - www.fema.es
Fax (+34)93.729.6003 - info@fema.es