

LARGE  
DISPLAYS

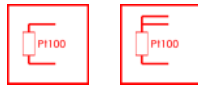
# Series BDF

## LARGE DISPLAYS

FEMA ELECTRÓNICA

\* Large Displays for signals :

Pt100



Thermocouples



Process in mA



Process in Vdc



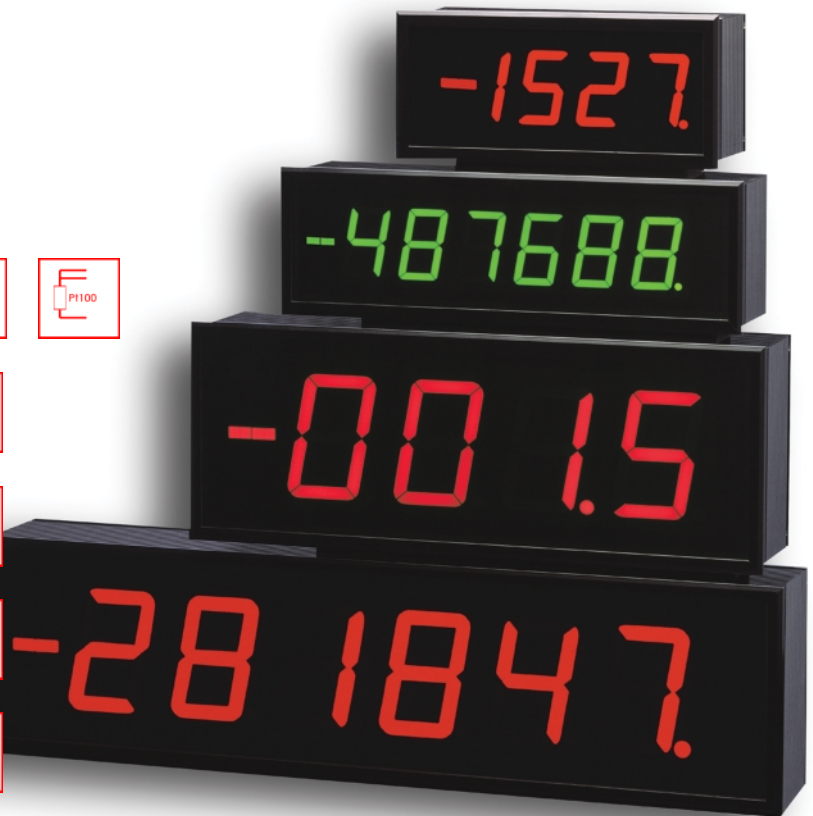
Impulse  
Counters



Ratemeters



Serial ASCII



\* With digit height of 57 mm  
With digit height of 100 mm  
Units with 4 and 6 digits

\* For panel mount and wall mount  
Strong housing in anodized aluminium  
Antirreflexive front lens

\* For industrial applications  
Connections at the rear side of the  
instrument



FEMA ELECTRÓNICA, S.A.

COMMERCIAL BROCHURE

info@fema.es  
www.fema.es

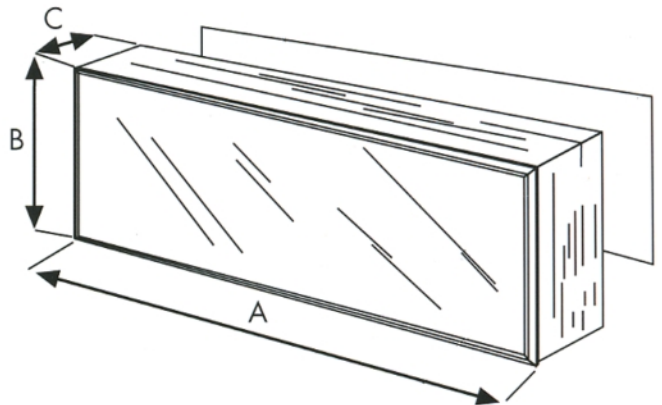
# TECHNICAL DATA – BDF

## General Data

The BDF series is a complete range of large displays prepared for analogue signals, to be used as temperature meters, process meters in current and voltage, applications for impulse counters and ratemeters, time chronometers, and other.

Designed for industrial applications, they are delivered inside a strong aluminium housing, anodized in black color, with frontal IP65 protection for panel mount, and optional full IP65 box for wall mount.

Direct connection to PT100/RTD probes and thermocouples is allowed, scaling for process signals, impulse totalization with scaling factor, and ASCII code repeater units with separate addresses.



IDEAL SOLUTION for long distance indication of temperatures, process, counters, etc, in a fast and reliable way. Very strong units both physical and electrical, suited for all type of industrial environments.

## Technical Data

DISPLAY 7 segments red color  
 DIGITS 4 and 6 digits (depends on model)  
 HEIGHT 60mm and 100mm  
 INDICATION 9999, -9999, 999999, -999999  
 negative sign  
 decimal point

THERMOCOUPLES J, K, T, E, S, R, L  
 PT100/RTD 2 wires and 3 wires  
 PROCESS 4/20 mA, 0/10 Vdc, ...  
 VOLTAGES up to 200 Vdc  
 TOTALIZERS Add, Subtract, Bidirectional, ...  
 RATEMETERS up to 10 KHz  
 ASCII RS232, RS485, RS422, ...

POWER 230 Vac or 115 Vac  
 MOUNTING Panel or Wall  
 HOUSING for industrial environments  
 MATERIAL aluminium anodized black



Front view of BDF units made with 4 and 6 digits. Location of the digits, negative sign, and decimal points.

## Sizes

SERIES	DIGITS	SIZES	WEIGHT
BDF-24	4 Digits of 57mm	A x B x C = 264 x 120 x 112 mm	2,3 Kg
BDF-26	6 Digits of 100mm	A x B x C = 384 x 120 x 112 mm	2,7 Kg
BDF-44	4 Digits of 100mm	A x B x C = 480 x 180 x 112 mm	5,0 Kg
BDF-46	6 Digits of 100mm	A x B x C = 688 x 180 x 112 mm	5,7 Kg

PANEL CUTOUT
256 x 112 mm
376 x 112 mm
472 x 172 mm
680 x 172 mm

FEMA ELECTRÓNICA, S.A.  
 Pol. Ind. Santiga - Altimira 14 (T14 - N2)  
 E08210 Barberà - BARCELONA

Tel. (+34) 93.729.6004 - www.fema.es  
 Fax (+34) 93.729.6003 - info@fema.es